

ASSEMBLY NO.

THE INFORMATION CONTAINED IN THIS DOCUMENT IS PROPRIETARY TO KDN TOOL & AUTOMATION ENGINEERING CO. LLC. THE INFORMATION CONTAINED IN THIS DOCUMENT IS NOT TO BE SHOWN, REPRODUCED, OR DISCLOSED TO ANYONE OUTSIDE OF KDN TOOL & AUTOMATION ENGINEERING CO. LLC WITHOUT THE PRIOR WRITTEN PERMISSION OF KDN TOOL & AUTOMATION ENGINEERING CO. LLC.

DISTR

FILE

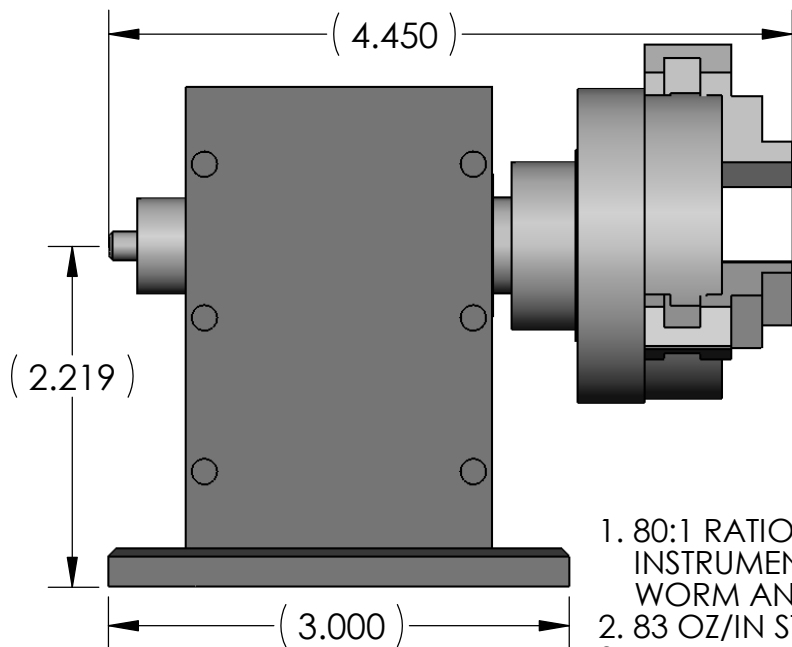
ASSY

INSP

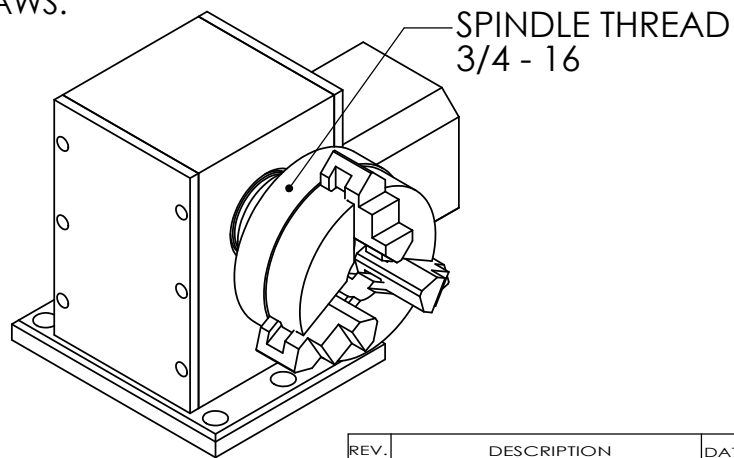
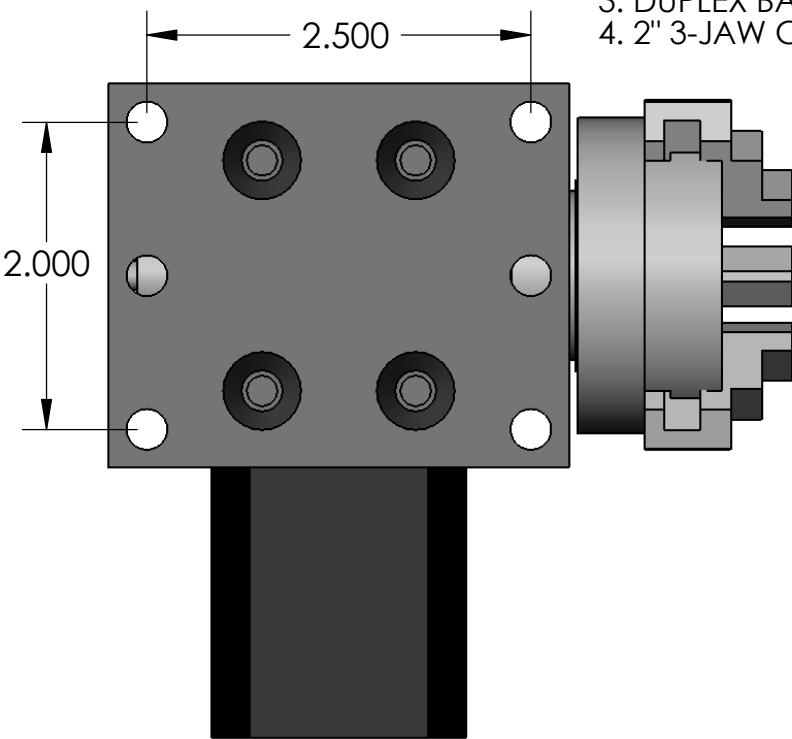
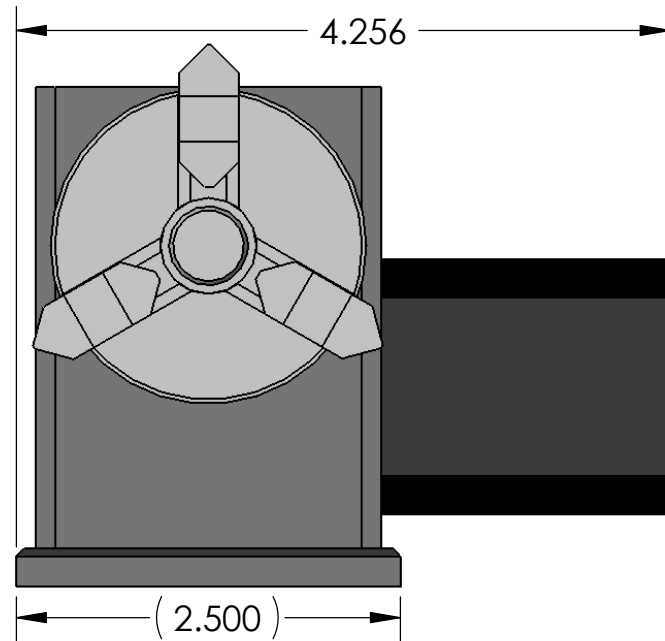
ENG

MODEL NO.

PART NO.



1. 80:1 RATIO, PRE-LOADED, ANTI-BACKLASH, INSTRUMENT GRADE, HIGH ACCURACY, WORM AND WORM GEAR.
2. 83 OZ/IN STEP MOTOR. 200 STEPS / REV
3. DUPLEX BALL BEARING SPINDLE SUPPORT.
4. 2" 3-JAW CHUCK WITH REVERSIBLE JAWS.



NOTES: UNLESS OTHERWISE SPECIFIED

UNLESS OTHERWISE SPECIFIED ALL DIMENSIONS ARE INCHES

TOLERANCES ARE:

- .X= +/- .03
- .XX= +/- .015
- .XXX= +/- .005
- .XXXX= +/- .0005

TAPER ON ANY DIA = .002/IN. MAX  
ALL CORNER RADII = .005 MAX  
ANGLES= +/- 2 DEGREES

MATERIAL

TITLE	SIGNATURE	DATE
DR.	KWC	4/16/08
APP		
FINISH NONE		
HEAT TREAT NONE		

REV.	DESCRIPTION	DATE	APP
KDN TOOL & AUTOMATION ENGINEERING CO. LLC			
TITLE: MINI 4TH AXIS HORZ.			
SIZE	CODE IDENT. NO.	SCALE:	SHEET
A	0001	1:1.5	1 OF 1
PART NO.			REV. N/R